

AC PANEL SURGE PROTECTION

SP SERIES

The SP Series of AC panel surge protectors provides a full range of nominal operating voltages from 120 Vac to 600 Vac to support global AC surge protection requirements and voltages. The UL 1449 4th Edition design, uses thermally protected MOV technology to ensure robust, reliable, protection for sensitive loads.

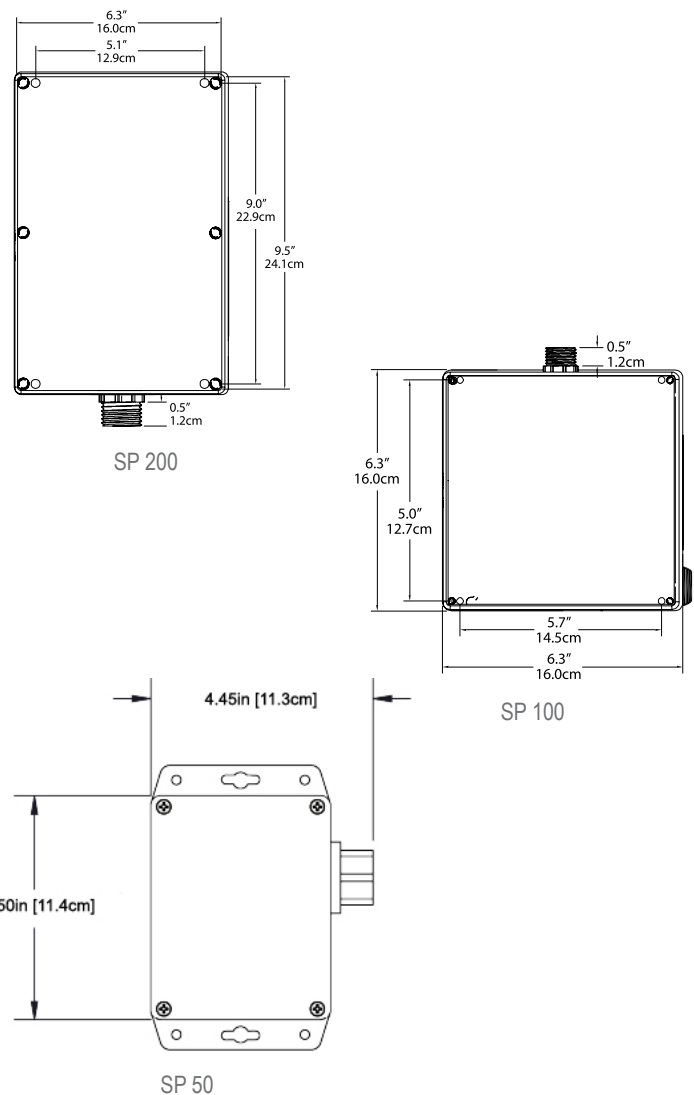


FEATURES

- LED status indication
- Thermally protected MOV technology
- 120 Vac to 600 Vac configurations
- No external overcurrent protection (fuses) required
- Compact design and rugged construction
- Quick installation for indoor and outdoor use
- All mode protection L-N, L-G, N-G & L-L
- Single Phase, Split Phase, Wye and Delta configurations

STANDARDS

- UL 1449 4th Edition, Listed
- NEC Article 100/285
- NEMA 4 and NEMA 4X



SPECIFICATIONS

	SP 50	SP 100	SP 200
Performance			
Connection	Parallel	Parallel	Parallel
Nominal Operating Voltage	120 - 600 Vac	120 - 480 Vac	120 - 480 Vac
Operating Frequency	50 / 60 Hz	47 - 63 Hz	47 - 63 Hz
Surge Capacity per Mode	50 kA	50 kA	100 kA
Surge Capacity per Phase	50 kA	100 kA	200 kA
Maximum Surge Current Dissipation per Phase	50 kA	100 kA	200 kA
IEEE Location	C-High, B-Medium	C-High, B-Medium	C-High, B-Medium
UL Location	Type 1 or Type 2	Type 1 or Type 2	Type 1 or Type 2
Fault Rating (SCCR)	200 kAIC	100 kAIC	100 kAIC
Response Time	<1 ns	<1 ns	<1 ns
Protection Provided	L-N, L-G, N-G, (Single Phase); L-L, L-N (Split Phase, Wye); L-G, L-L (Delta)	L-N, L-G, N-G, L-L (Split Phase, Wye); L-G, L-L (Delta)	L-N, L-G, N-G, L-L (Split Phase, Wye); L-G, L-L (Delta)
Certifications	UL 1449 4th Edition Listed	UL 1449 4th Edition Listed	UL 1449 4th Edition Listed
Mechanical			
Dimensions - H x W x D	4.5" x 3.6" x 2.5" 11.43 cm x 9.14 cm x 6.17 cm	6.3" x 6.3" x 3.5" 16 cm x 16 cm x 8.9 cm	9.5" x 6.3" x 3.5" 24.1 cm x 16 cm x 8.9 cm
Weight (Max) lb, kg	1.3 lbs / 0.59 kg	3 lbs / 1.4 kg	5 lbs / 2.3 kg
Lug Range	None	None	None
Lead Length	≤ 1.5' (recommended)	≤ 1.5' (recommended)	≤ 1.5' (recommended)
Wire Gauge	#12 provided	#10 provided	#10 provided
Breaker Connection	30A (recommended)	30A (recommended)	30A (recommended)
Environmental			
Humidity (noncondensing)	5% to 95%	5% to 95%	5% to 95%
Operating Temperature	-40°C to +85°C	-40°C to +85°C	-40°C to +85°C
Operating Altitude (feet)	Up to 12,000	Up to 12,000	Up to 12,000
Enclosure Type	NEMA 4X	NEMA 4 & NEMA 1 w / disable switch	NEMA 4 & NEMA 1 w / disable switch